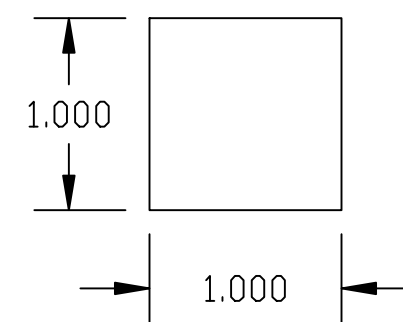
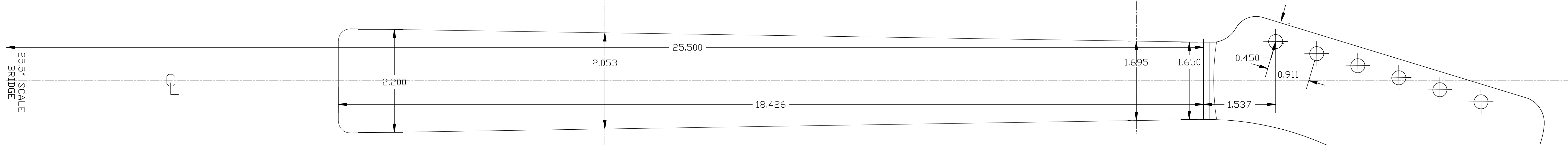


VERIFY SCALE

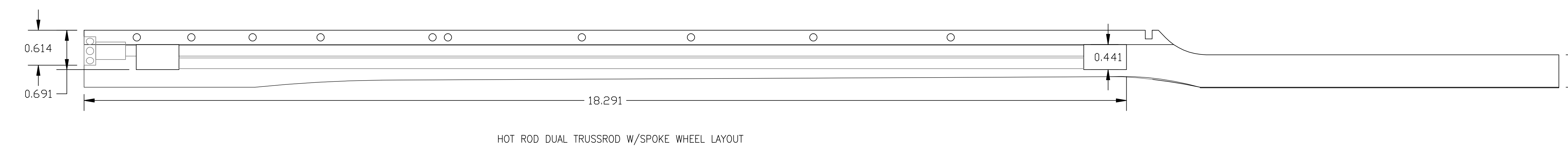


25.5" Fret Scale

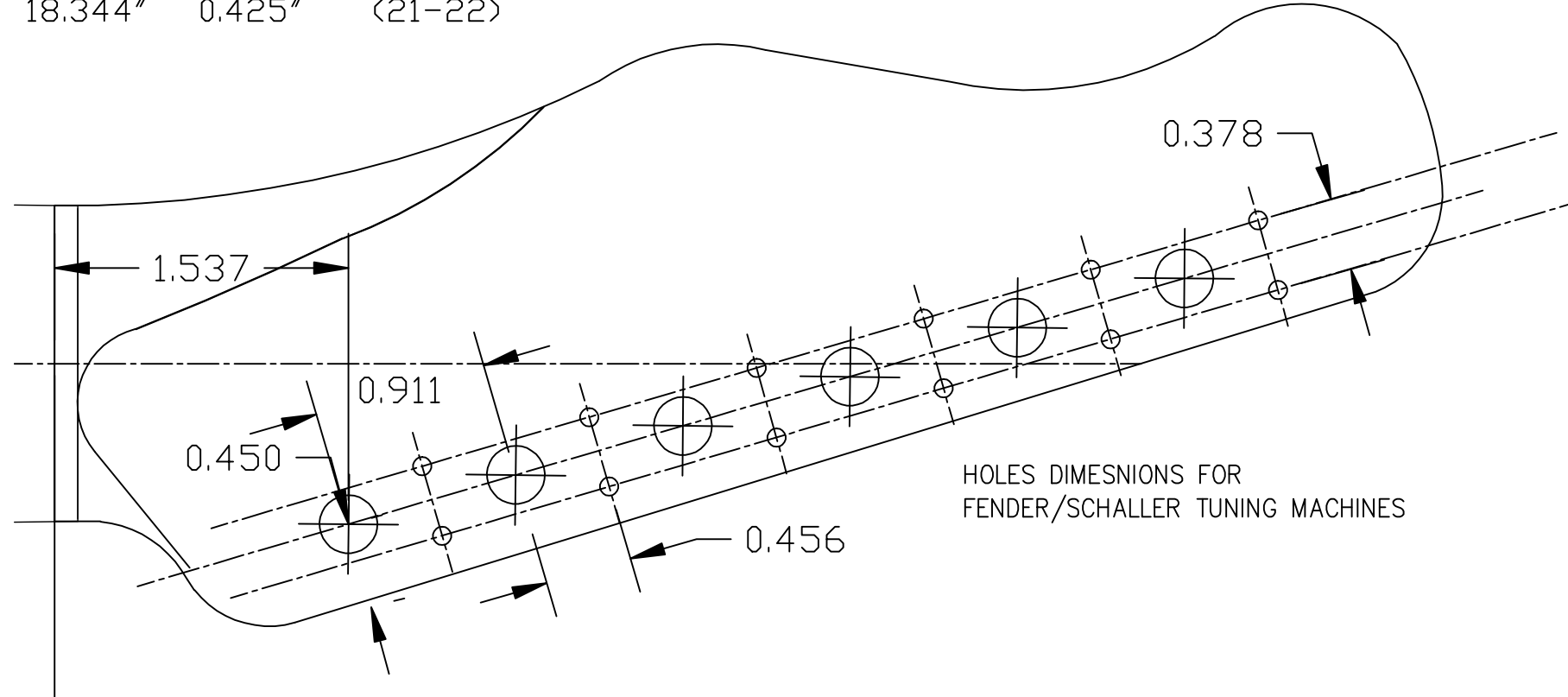
Fret	From Nut	Fret to Fret
1	1.431"	(Nut-1)
2	2.782"	(1-2)
3	4.057"	(2-3)
4	5.261"	(3-4)
5	6.397"	(4-5)
6	7.469"	(5-6)
7	8.481"	(6-7)
8	9.436"	(7-8)
9	10.338"	(8-9)
10	11.189"	(9-10)
11	11.992"	(10-11)
12	12.750"	(11-12)
13	13.466"	(12-13)
14	14.141"	(13-14)
15	14.779"	(14-15)
16	15.380"	(15-16)
17	15.948"	(16-17)
18	16.484"	(17-18)
19	16.990"	(18-19)
20	17.468"	(19-20)
21	17.919"	(20-21)
22	18.344"	(21-22)



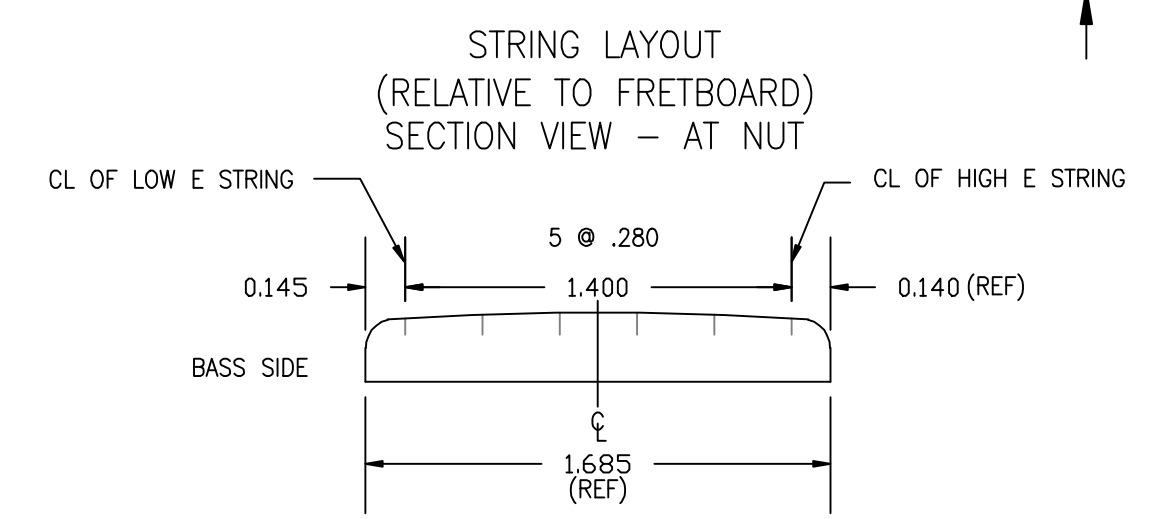
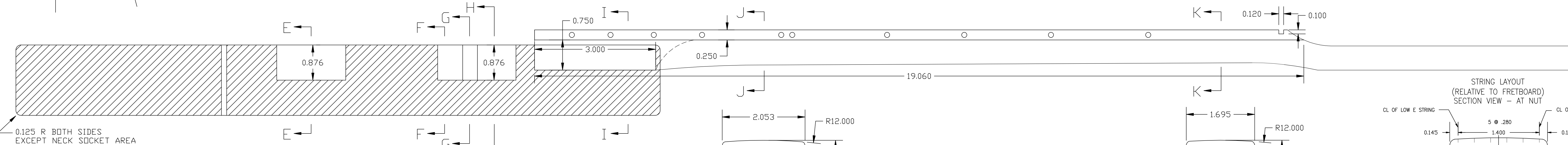
HOT ROD DUAL TRUSSROD W/SPOKE WHEEL LAYOUT



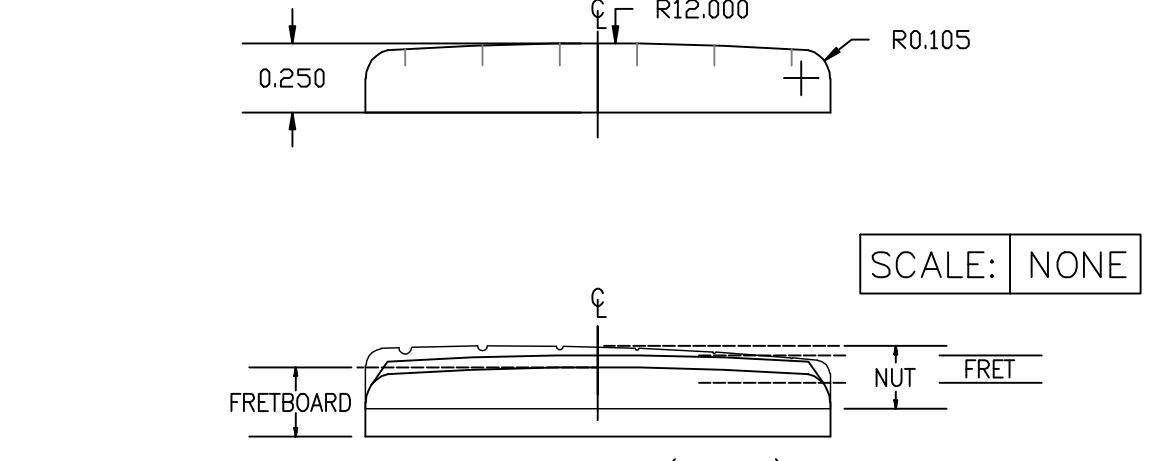
HOT ROD DUAL TRUSSROD W/SPOKE WHEEL LAYOUT



HOLES DIMENSIONS FOR FENDER/SCHALLER TUNING MACHINES



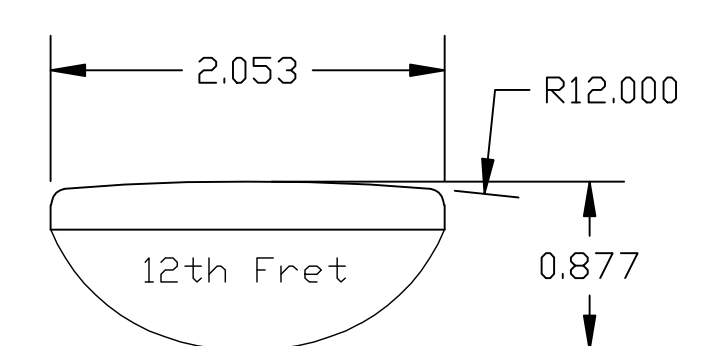
SCALE: NONE



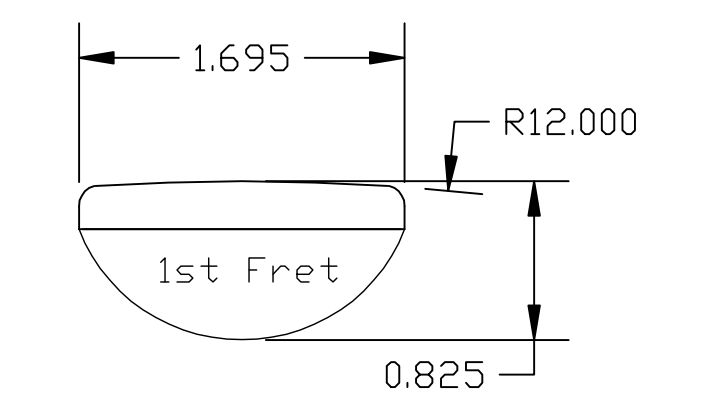
SCALE: NONE

ELECTRIC GUITAR ACTION SETTINGS

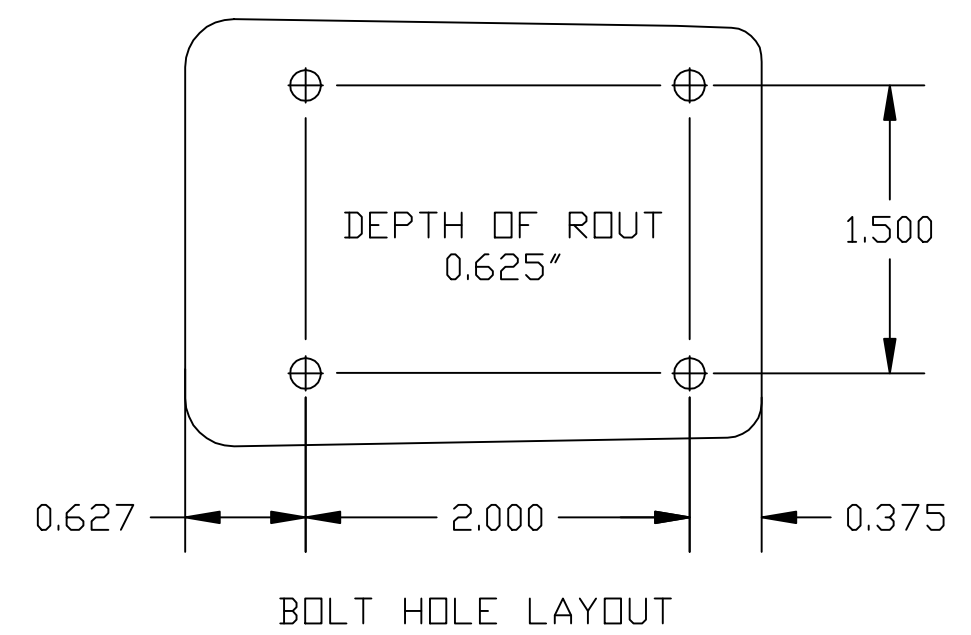
	BASS E	TREBLE E
ACTION AT 1ST FRET	.024"	.010"
ACTION AT 12TH FRET	.078"	.063"
RELIEF AT 8TH FRET:	.001"	



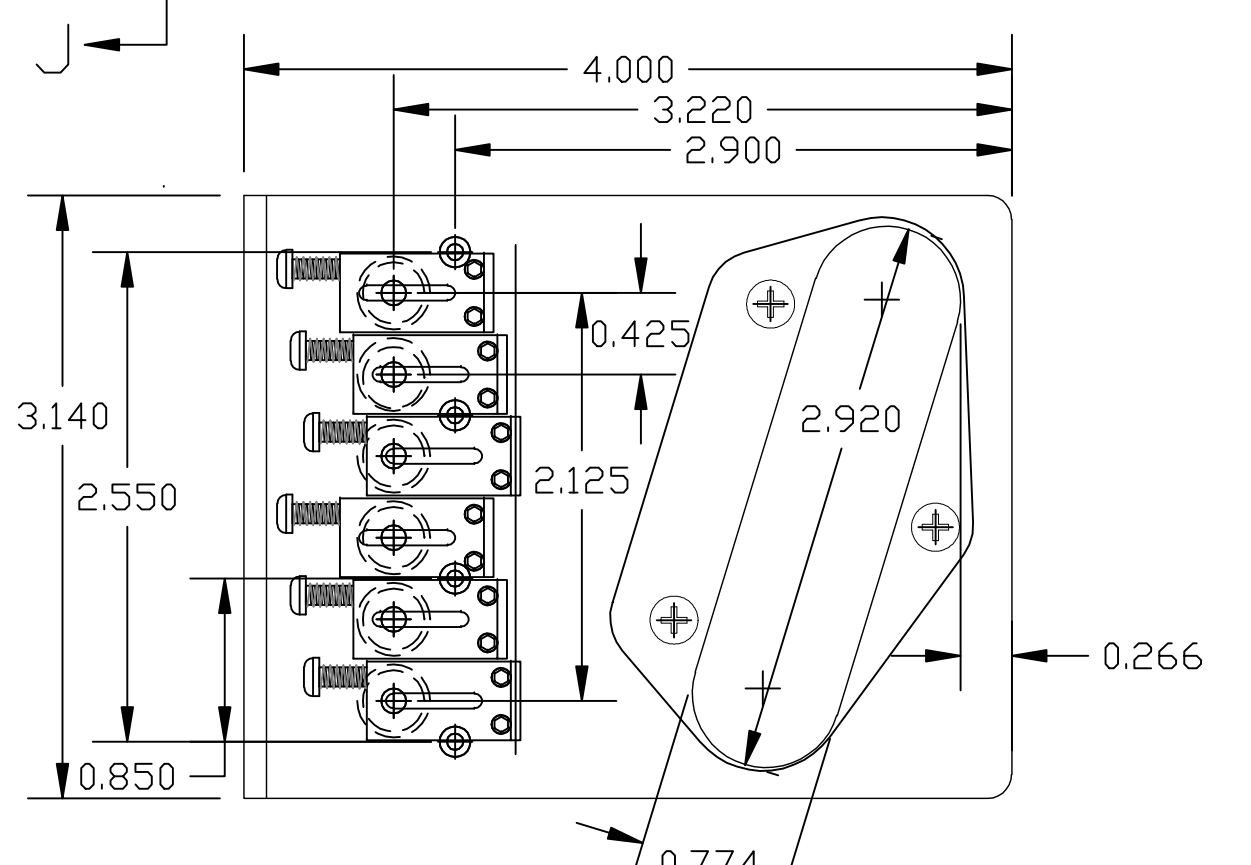
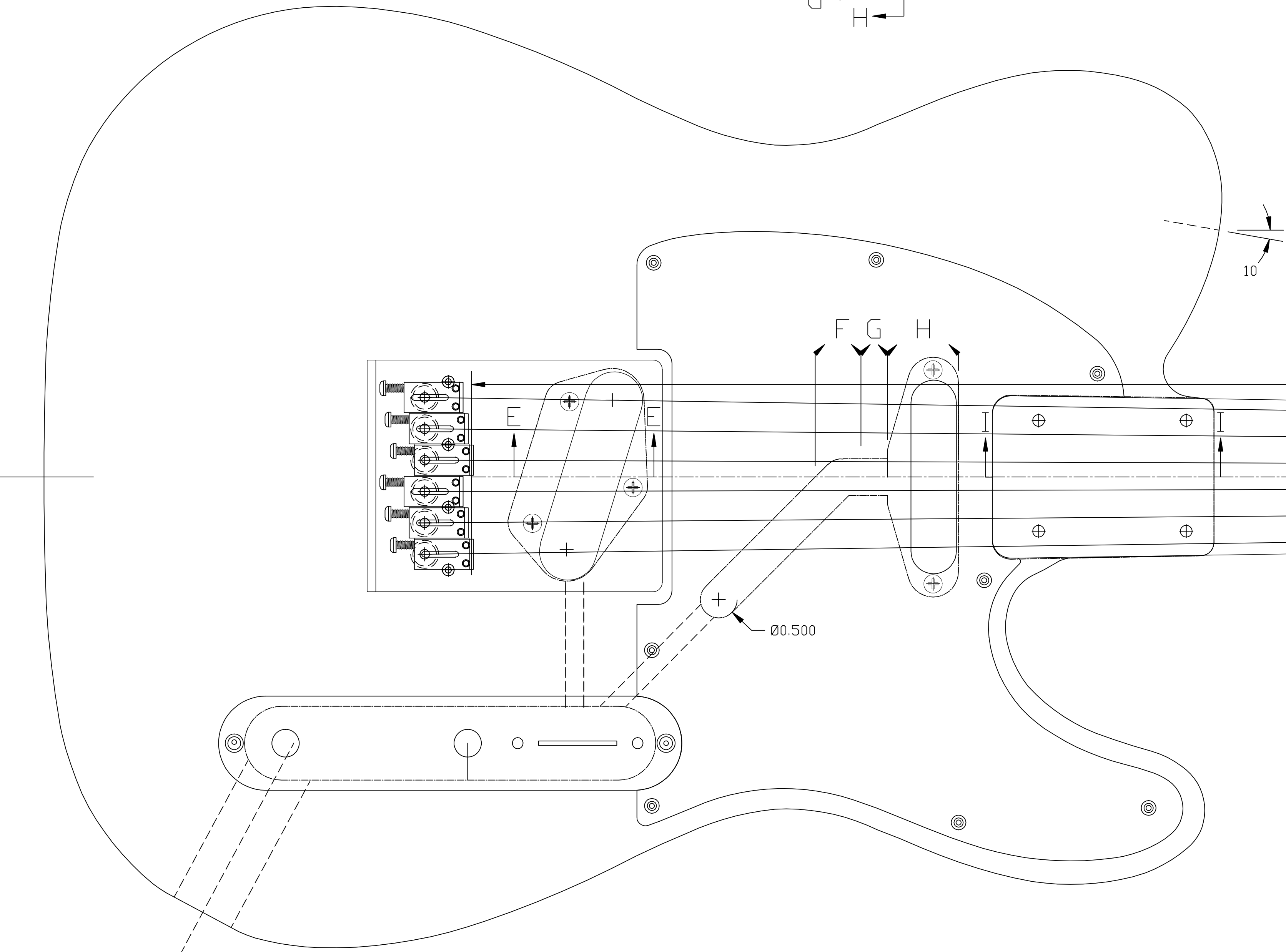
SECTION J-J



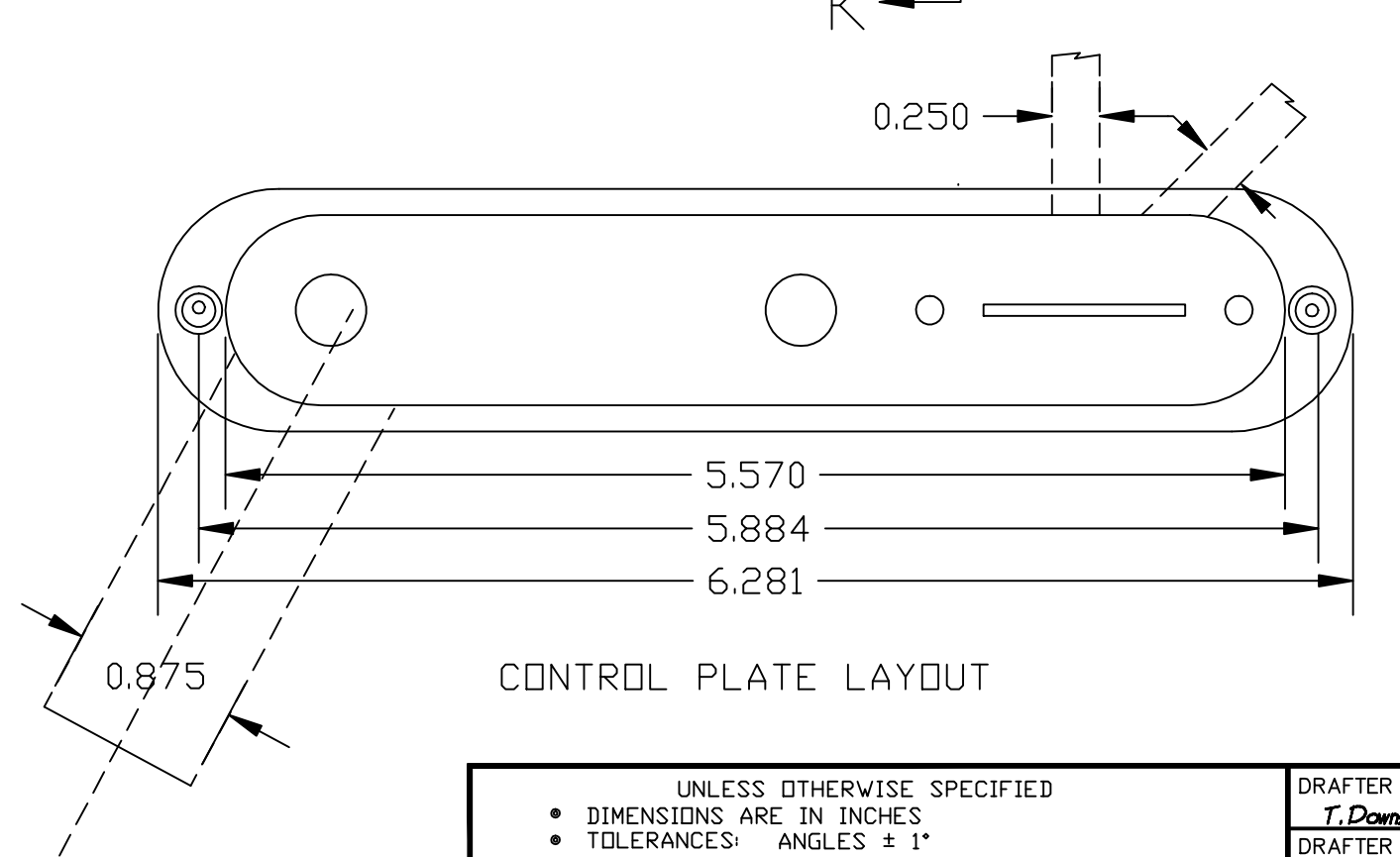
SECTION K-K



BOLT HOLE LAYOUT



AMERICAN STANDARD BRIDGE PLATE LAYOUT



CONTROL PLATE LAYOUT

UNLESS OTHERWISE SPECIFIED		DRAWING PER DD3-D-1000	
DIMENSIONS ARE IN INCHES		3 PLACE DECIMALS ±.002	
TOLERANCES - ANGLES ± 1°		2 PLACE DECIMALS ±.02	
RADIUS CORNERS		RADIUS CORNERS	
REMOVE ALL BURRS AND SHARP EDGES		REMOVE ALL BURRS AND SHARP EDGES	
CONCENTRICITY MACHINED DIAMETERS .010 FIM		CONCENTRICITY MACHINED DIAMETERS .010 FIM	
DIMENSIONAL LIMITS APPLY BEFORE PROCESSES		DIMENSIONAL LIMITS APPLY BEFORE PROCESSES	
PARENTHEetical INFO FOR REF ONLY		PARENTHEetical INFO FOR REF ONLY	
HOLE DIAMETER TOLERANCE		HOLE DIAMETER TOLERANCE	
.013 ±.004	.125 ±.005	.251 ±.006	
THRU .001	THRU .002	THRU .001	
.501 ±.008	.751 ±.010	1.001 ±.012	
THRU .001	THRU .001	THRU .001	
1.001 ±.012	2.000 ±.015		

DRAWER 1:	DATE:
JT	01/21/2001
DRAWER 2:	DATE:
JT	01/26/2014
REV1:	DATE:
JT	02/12/14
REV2:	DATE:
REV3:	DATE:
REV4:	DATE:
RELEASED:	DATE:
JT	02/02/2014
FOR PERSONAL USE ONLY	

**TELE STYLE GUITAR
FULL SCALE PLANS
HOT ROD TRUSS ROD**

SIZE	E1 42x30	DRAWING NO
SCALE	1:1 (UNLESS OTHERWISE NOTED)	