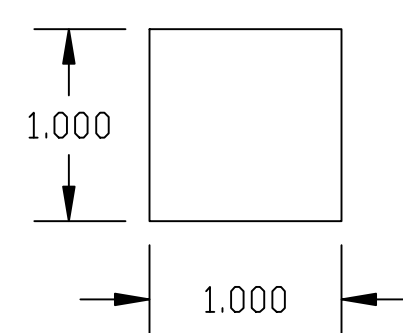
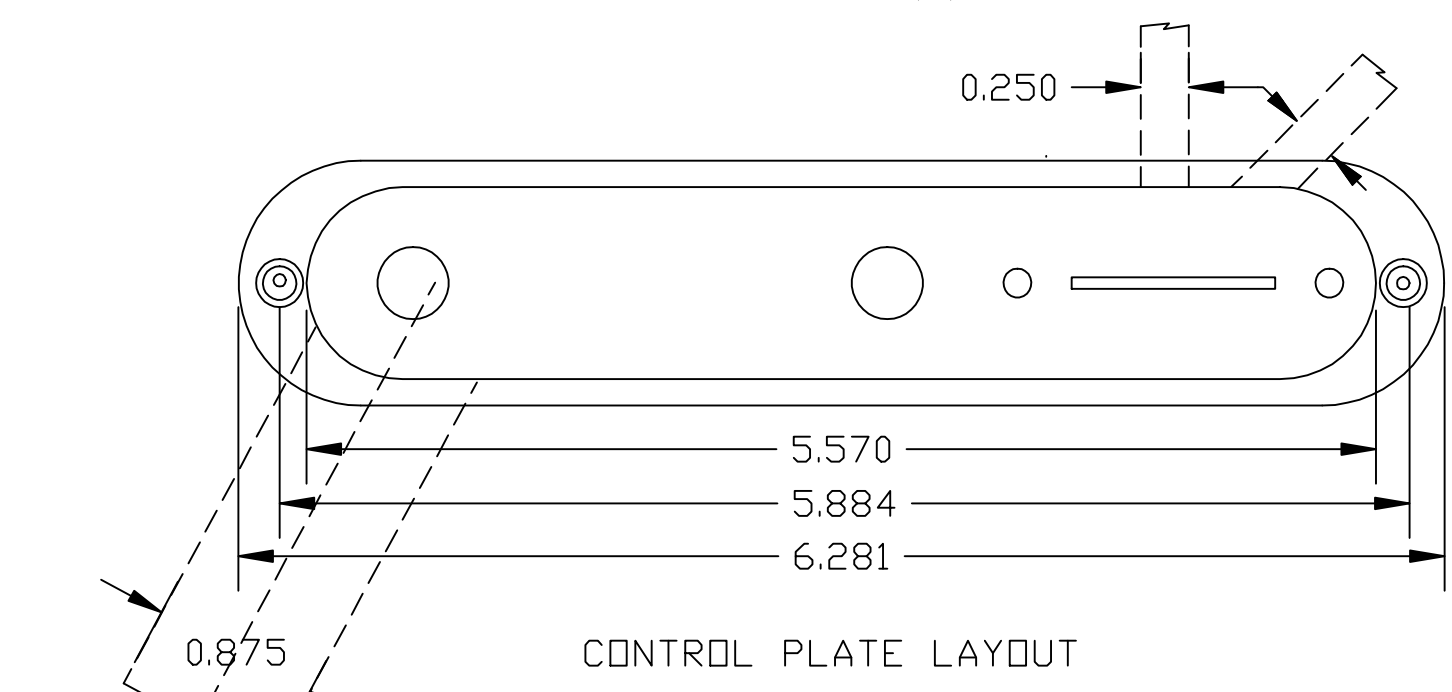
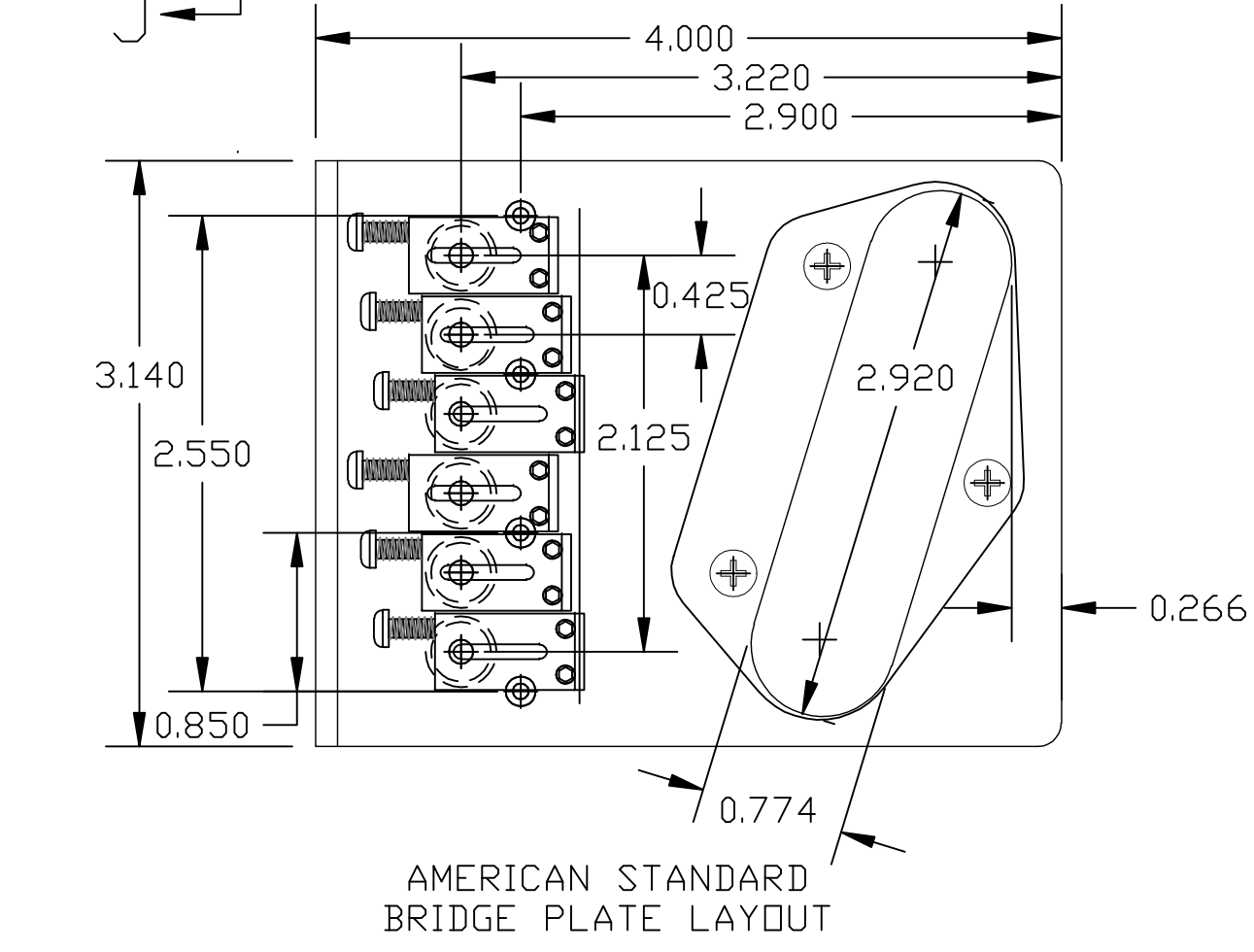
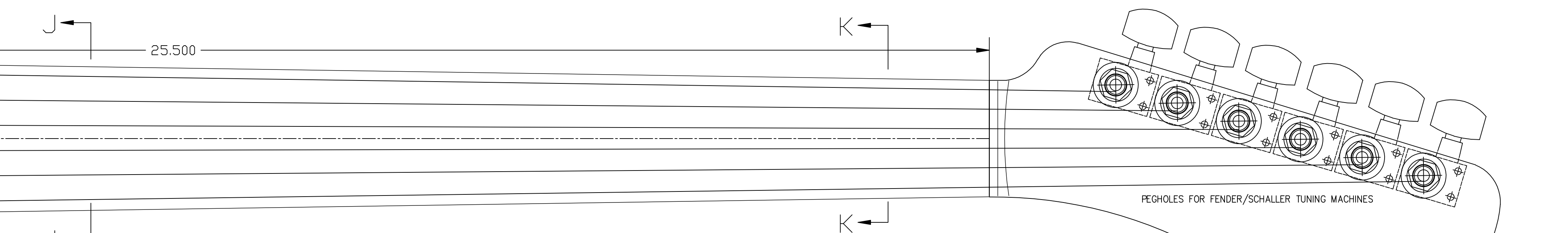
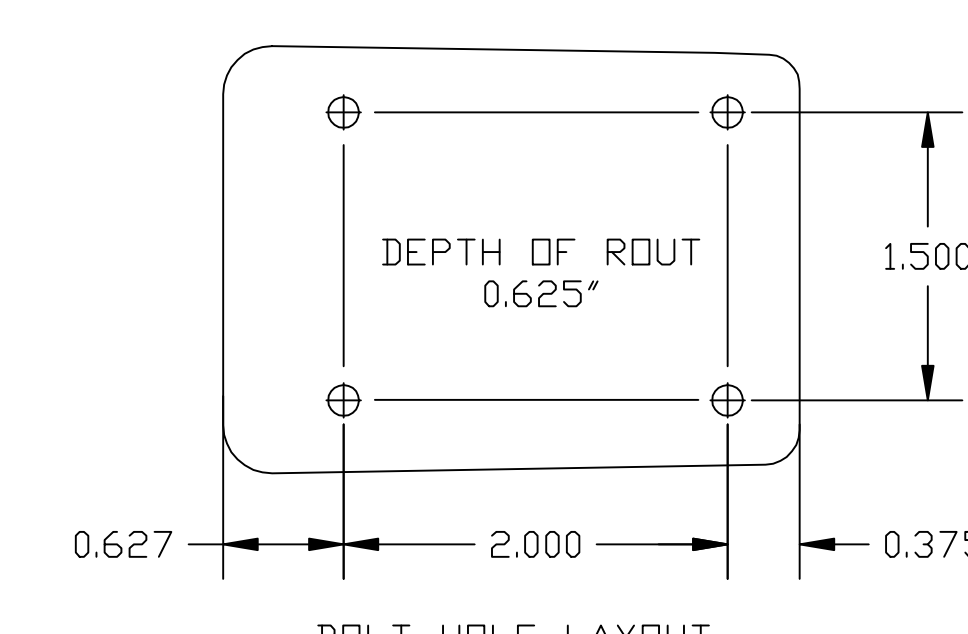
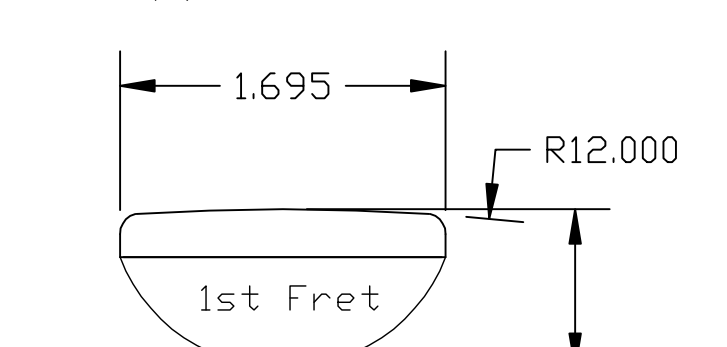
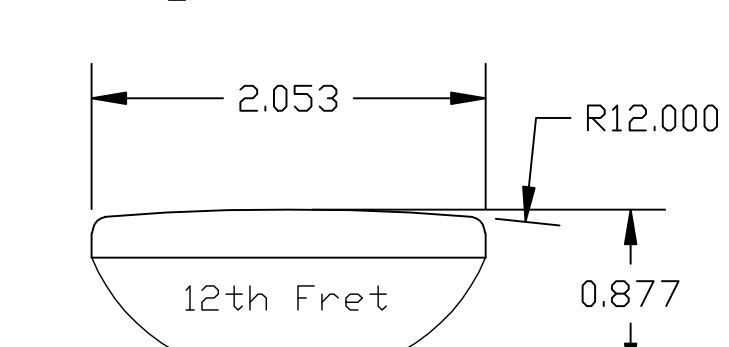
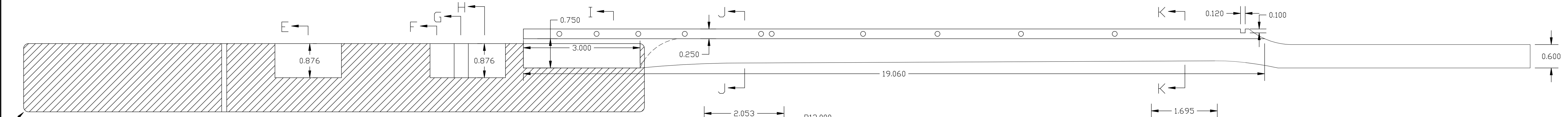
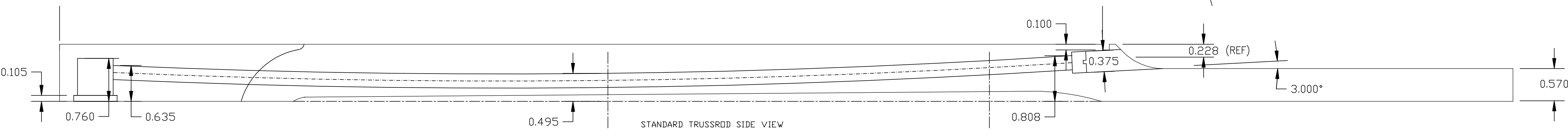
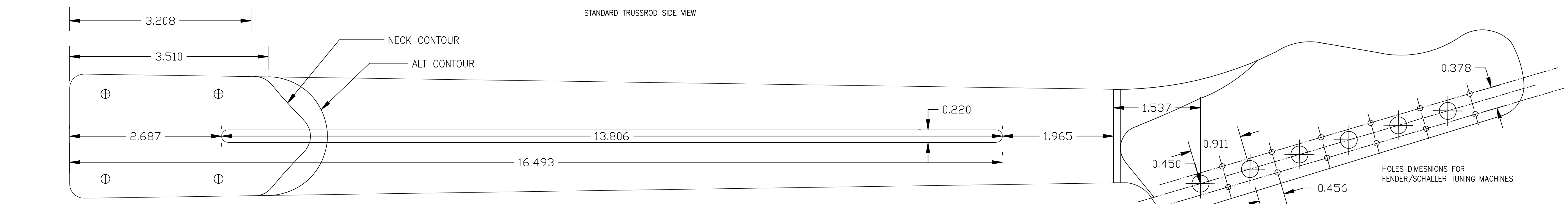
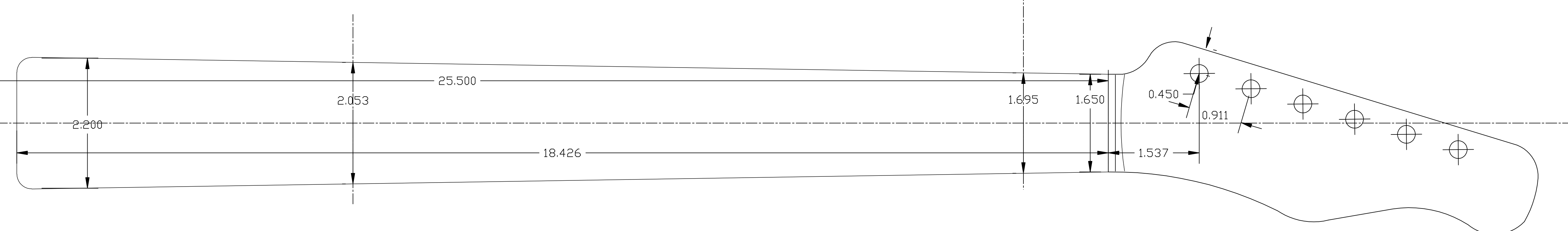
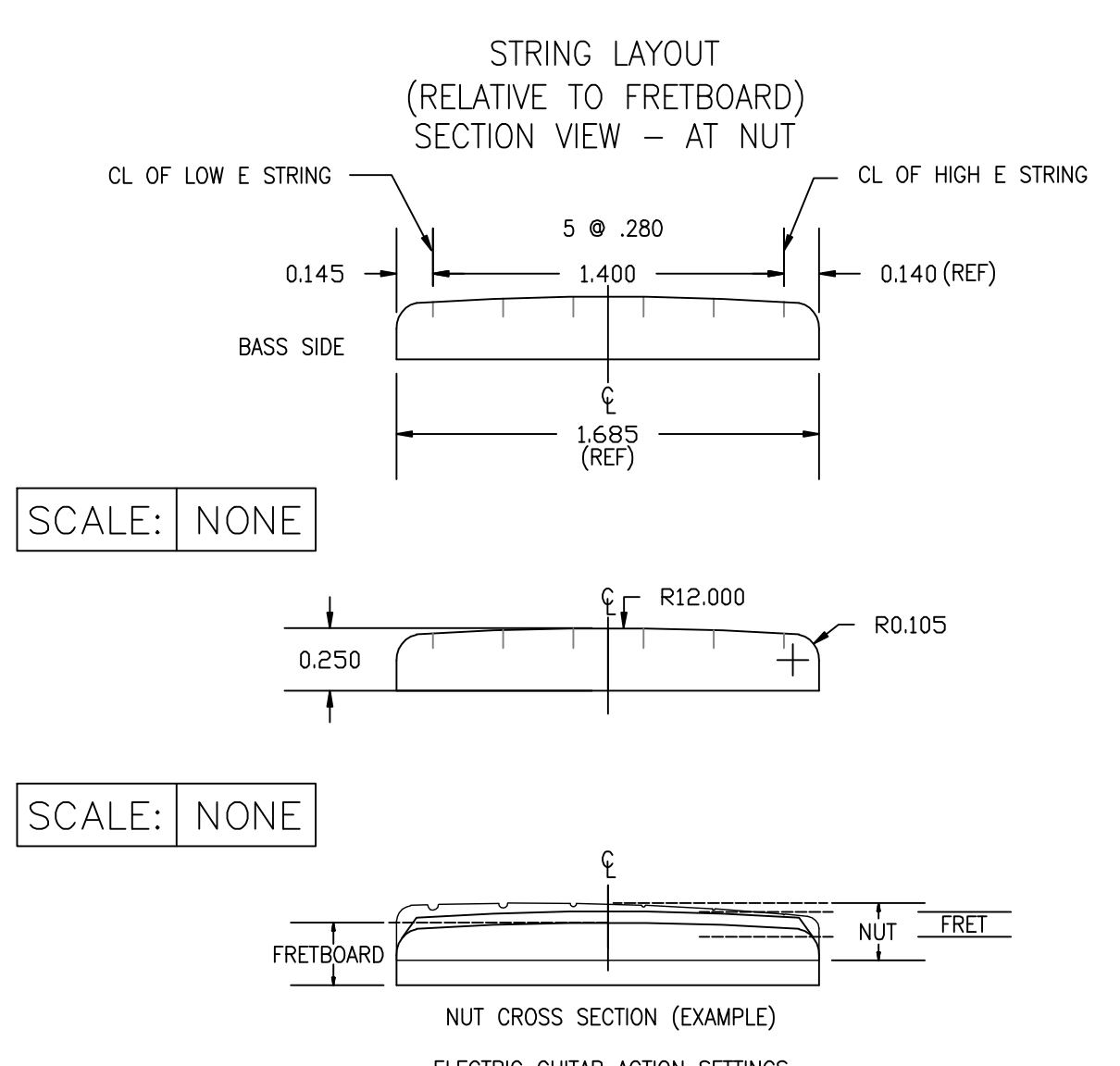


VERIFY SCALE



25.5" Fret Scale

Fret	From Nut	Fret to Fret
1	1.431"	1.431" (nut-1)
2	2.782"	1.351" (1-2)
3	4.057"	1.275" (2-3)
4	5.261"	1.204" (3-4)
5	6.397"	1.136" (4-5)
6	7.469"	1.072" (5-6)
7	8.481"	1.012" (6-7)
8	9.436"	0.955" (7-8)
9	10.338"	0.902" (8-9)
10	11.189"	0.851" (9-10)
11	11.992"	0.803" (10-11)
12	12.750"	0.758" (11-12)
13	13.466"	0.716" (12-13)
14	14.141"	0.675" (13-14)
15	14.779"	0.638" (14-15)
16	15.380"	0.601" (15-16)
17	15.948"	0.568" (16-17)
18	16.484"	0.536" (17-18)
19	16.990"	0.506" (18-19)
20	17.468"	0.478" (19-20)
21	17.919"	0.451" (20-21)
22	18.344"	0.425" (21-22)



UNLESS OTHERWISE SPECIFIED		DRAFTER 1: J. Davis		DATE: 01/21/2001	
DIMENSIONS ARE IN INCHES		DRAFTER 2: JMT		DATE: 01/26/2014	
TOLERANCES - ANGLES ± 1°		REV1		DATE: 02/12/14	
3 PLACE DECIMALS ± 0.01		REV2		DATE:	
2 PLACE DECIMALS ± 0.02		REV3		DATE:	
INTERPRET DRAWING PER DD3-D-1000		REV4		DATE:	
REMOVE ALL BURRS AND SHARP EDGES		RELEASED: JMT		DATE: 02/02/2014	
CONCENTRICITY MACHINED DIAMETERS .010 FIM		FOR PERSONAL USE ONLY		SCALE: 1:1 (UNLESS OTHERWISE NOTED)	
DIMENSIONAL LIMITS APPLY BEFORE PROCESSES		DRAWING NO: E142x30			
PARENTHEICAL INFO FOR REF ONLY					

**TELE STYLE GUITAR**  
**FULL SCALE PLANS**  
**STANDARD TRUSS ROD**