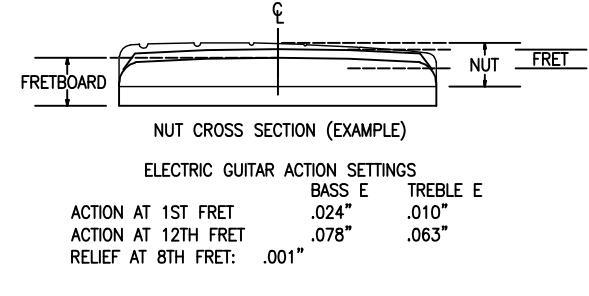
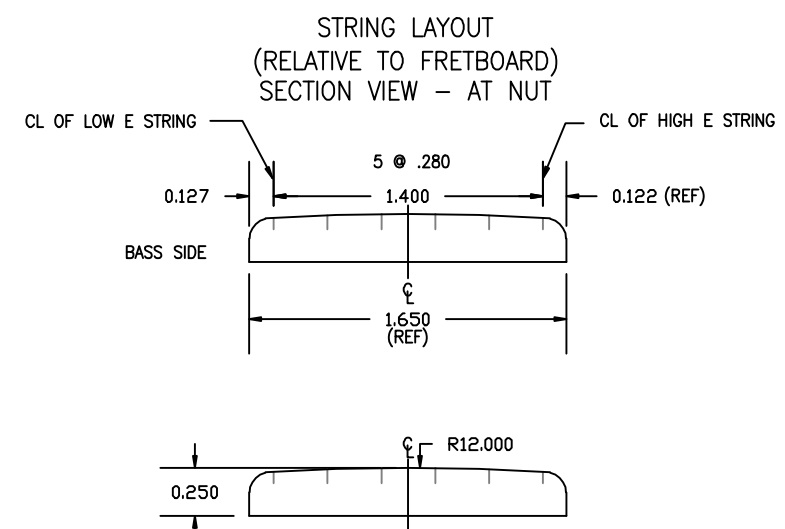
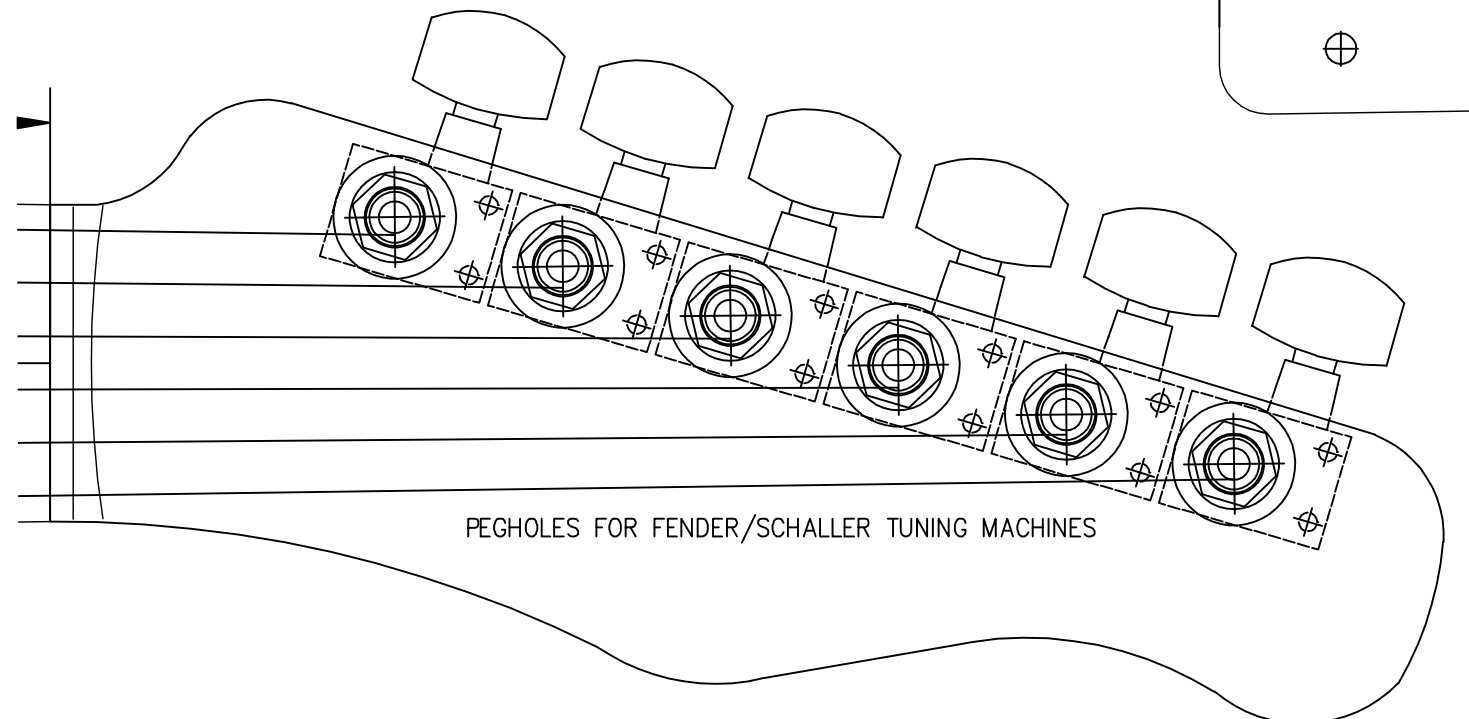
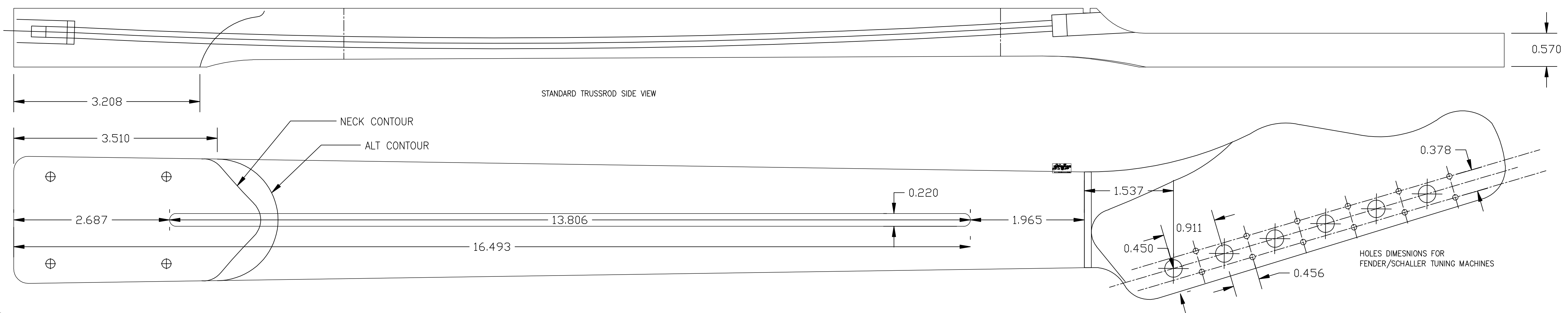
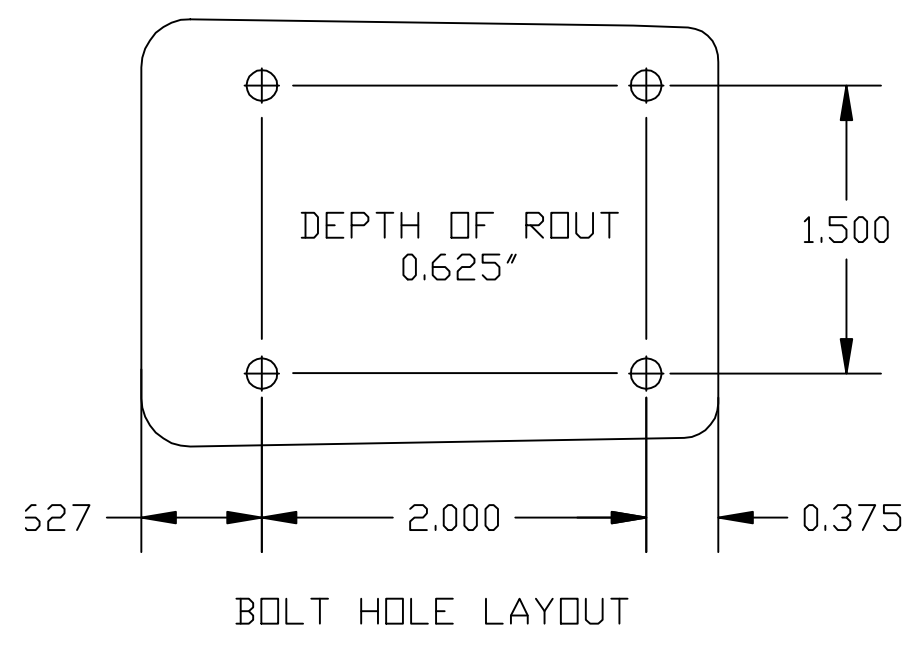
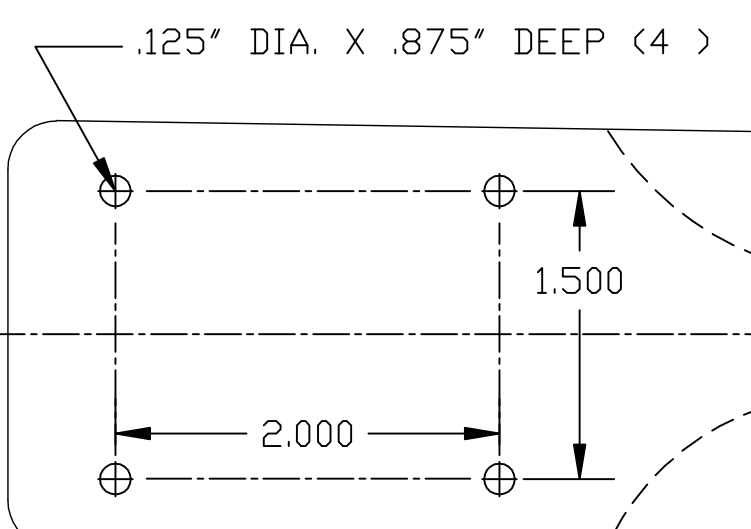
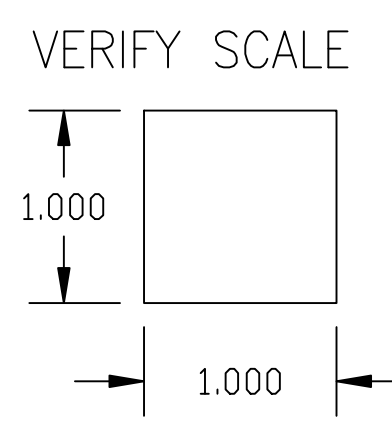


25.5" Fret Scale

Fret	From Nut	Fret to Fret
1	1.431"	(nut-1)
2	2.782"	(1-2)
3	4.057"	(2-3)
4	5.261"	(3-4)
5	6.397"	(4-5)
6	7.469"	(5-6)
7	8.481"	(6-7)
8	9.436"	(7-8)
9	10.338"	(8-9)
10	11.189"	(9-10)
11	11.992"	(10-11)
12	12.750"	(11-12)
13	13.466"	(12-13)
14	14.141"	(13-14)
15	14.779"	(14-15)
16	15.380"	(15-16)
17	15.948"	(16-17)
18	16.484"	(17-18)
19	16.990"	(18-19)
20	17.468"	(19-20)
21	17.919"	(20-21)
22	18.344"	(21-22)



NOTES:

PEGHOLES ARE FOR FENDER/SCHALLER TUNING MACHINES WHEN REQUIRING A DIFFERENT HEADSTOCK, PLACE OVER DRAWING AND ALIGN WITH CENTERLINE

NECK PROFILE TEMPLATES ARE NOT IDENTICAL REPLICAS OF ORIGINAL AND SHOULD ONLY BE USED AS A GUIDE.

DRAFTER 1:	DATE:
JMM	01/26/14
DRAFTER 2:	DATE:
REV1	DATE:
JMM	02/12/14
REV2	DATE:
REV3	DATE:
REV4	DATE:
RELEASED:	DATE:
JMM	01/26/14
FOR PERSONAL USE ONLY	

**TELECASTER STYLE NECK**

**FULL SCALE PLANS**

**SINGLE TRUSS ROD**

SIZE: ANSI D 34x22

DRAWING NO:

SCALE: 1:1 (UNLESS OTHERWISE NOTED)