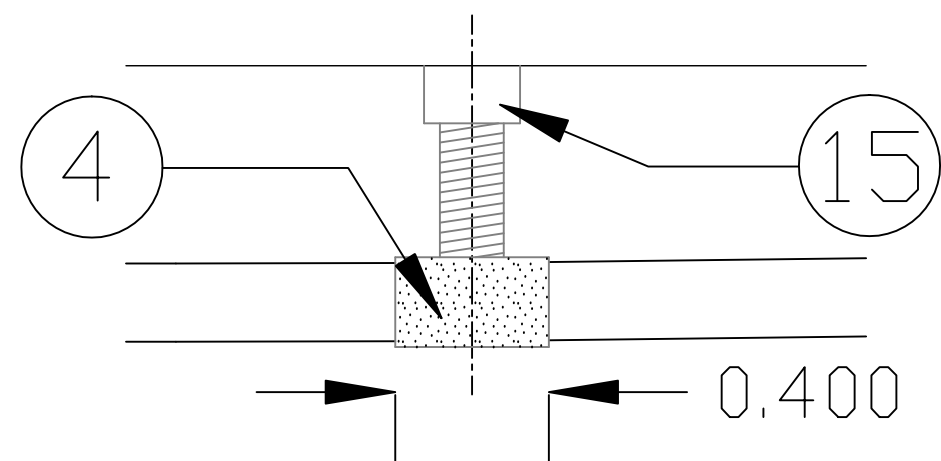
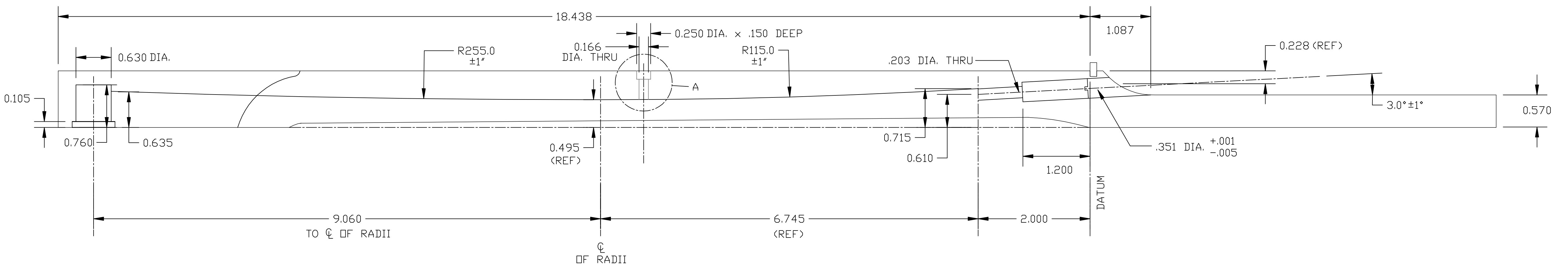
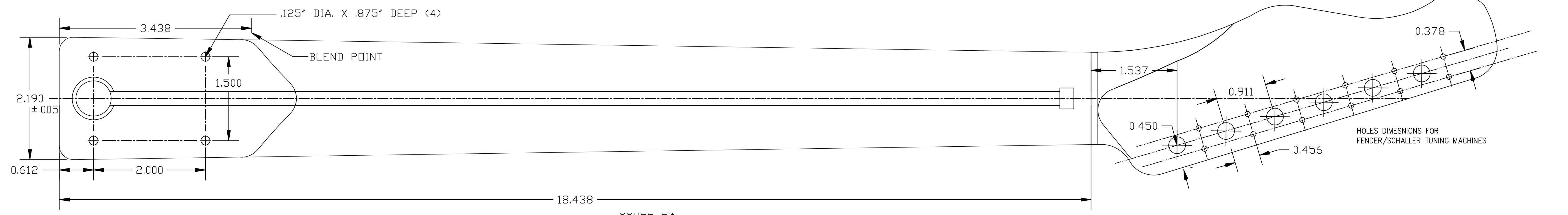
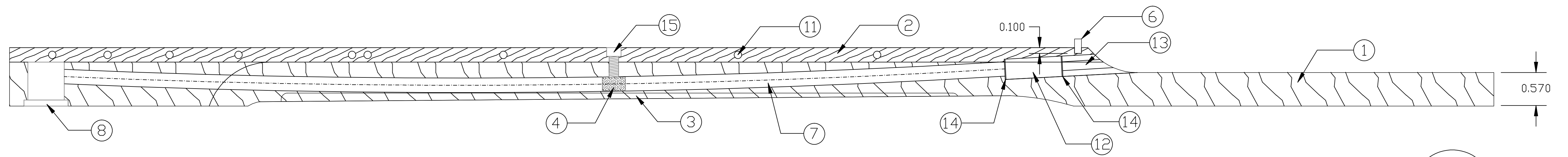
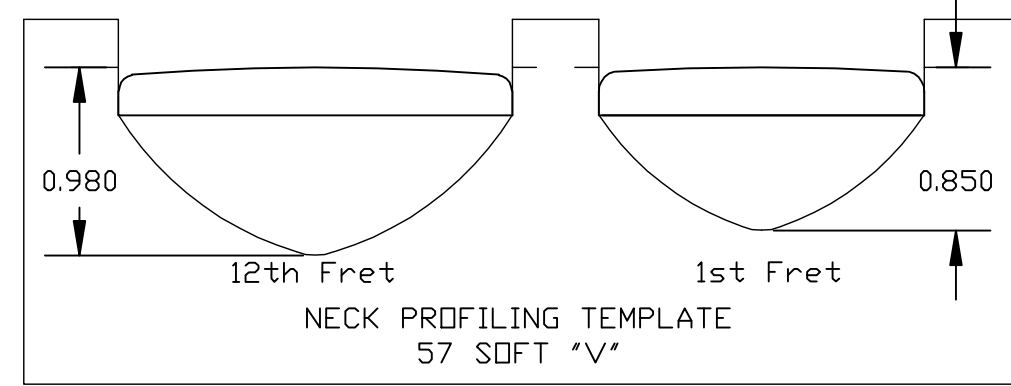
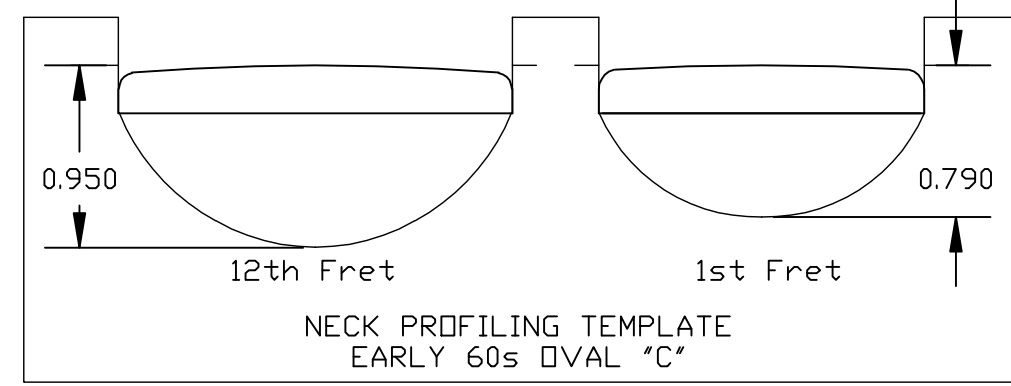
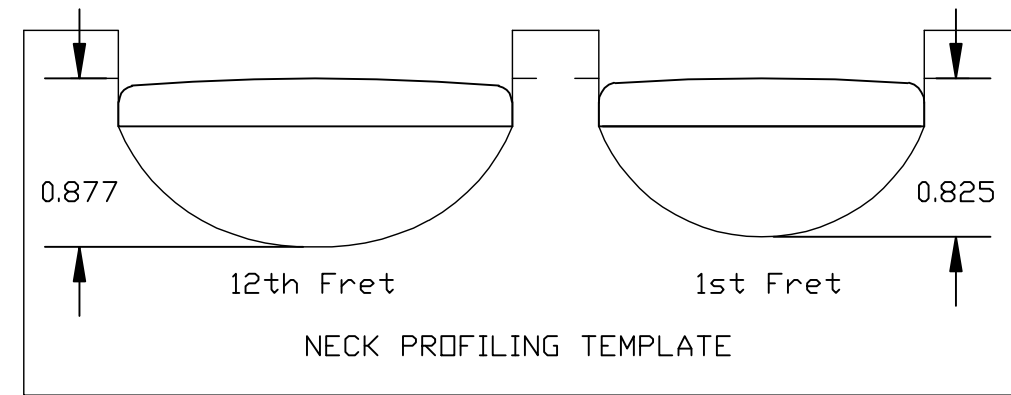
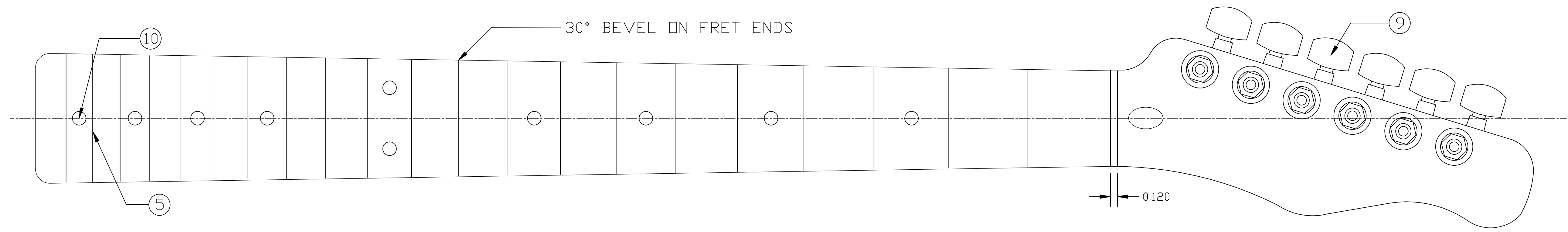
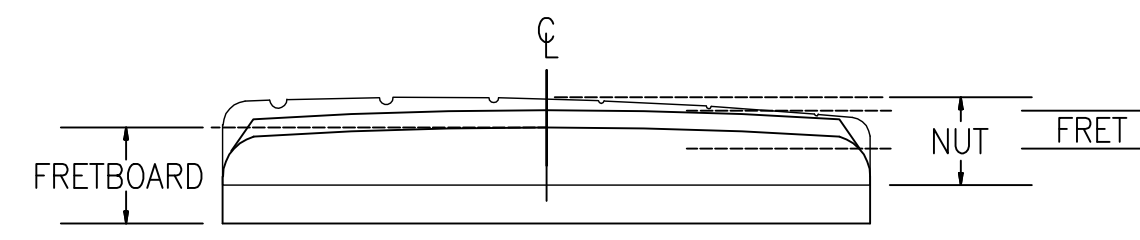
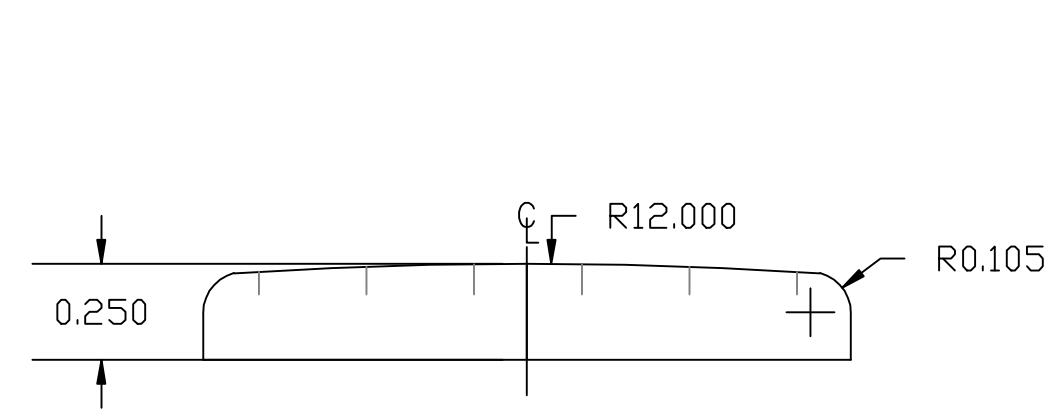
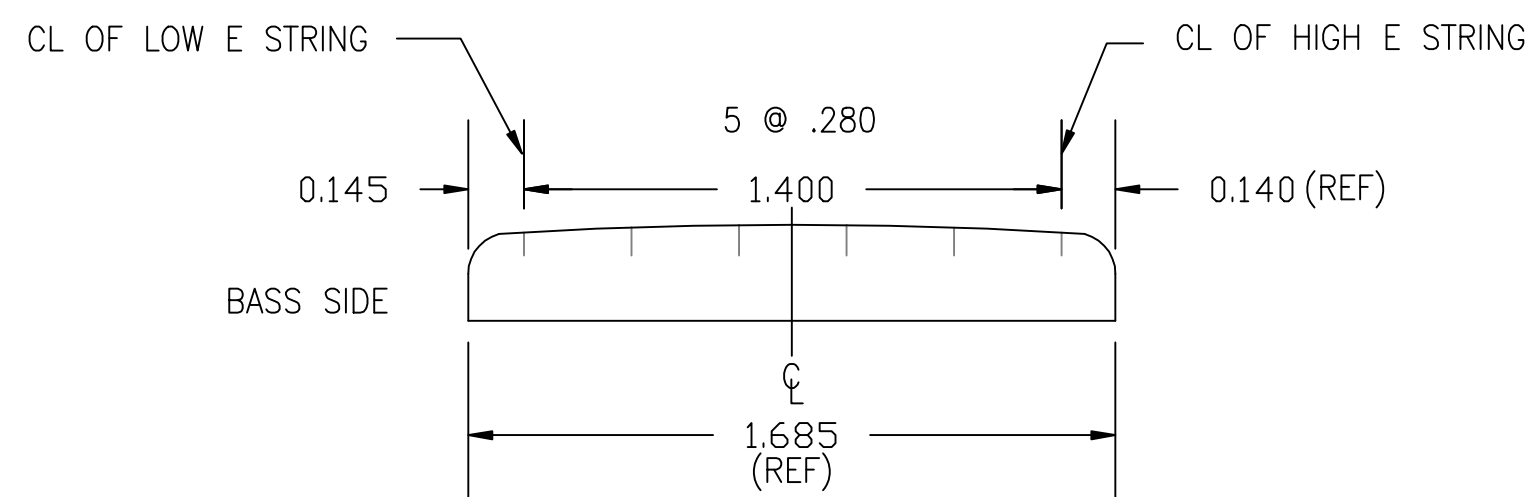


NO.	QTY.	DESCRIPTION
1	1	NECK BLANK
2	1	FRET BOARD
3	1	BACK INSERT
4	1	TRUSS ROD ANCHOR
5	21	FRET
6	1	TOP NUT
7	1	TRUSS ROD ASSEMBLY
8	1	TRUSS ROD HEEL ANCHOR
9	6	TUNING MACHINES
10	10	FACE DOT
11	10	SIDE DOT
12	1	ROD ADJUSTMENT NUT
13	1	DOWEL, DRILLED
14	2	WASHER
15	1	SCREW, M 4-40 x .3



DETAIL A
SCALE 2:1

STRING LAYOUT
(RELATIVE TO FRETBOARD)
SECTION VIEW - AT NUT



ELECTRIC GUITAR ACTION SETTINGS
BASS E TREBLE E
ACTION AT 1ST FRET .024" .010"
ACTION AT 12TH FRET .078" .063"
RELIEF AT 8TH FRET: .001"

MATERIALS	DRAFTER 1: JMH	DATE: 04/26/14
	DRAFTER 2:	DATE:
	REV1:	DATE:
	REV2:	DATE:
FINISH	REV3:	DATE:
	REV4:	DATE:
	RELEASED: JMH	DATE: 02/12/14
	FOR PERSONAL USE ONLY	
TOLERANCES (UNLESS OTHERWISE NOTED)		
• FRACTIONAL	±1/32	
• XXX	±.005	
• XX	±.010	
• ANGLES	1/2 DEGREE	
• HOLE DIA.	+.000 TO -.001	
SIZE D 36x24		DRAWING NO. JMG1405-N2
SCALE 1:1 (UNLESS OTHERWISE NOTED)		

**FENDER STYLE NECK
FULL SCALE PLANS**