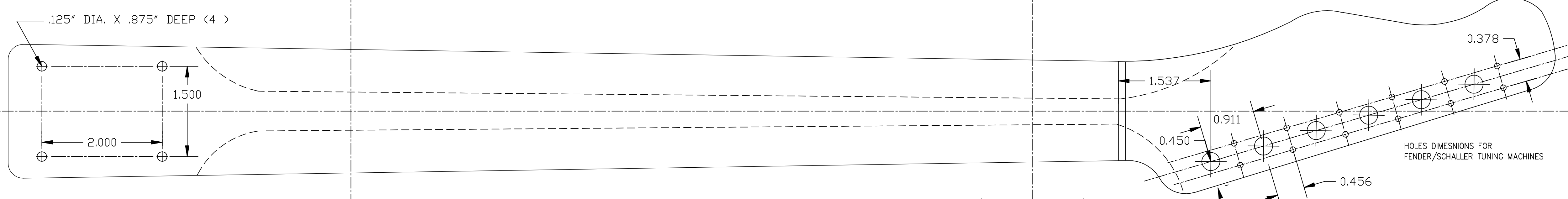
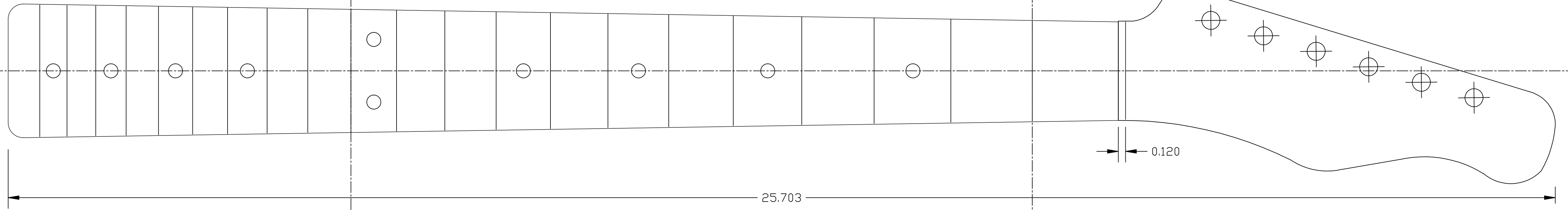
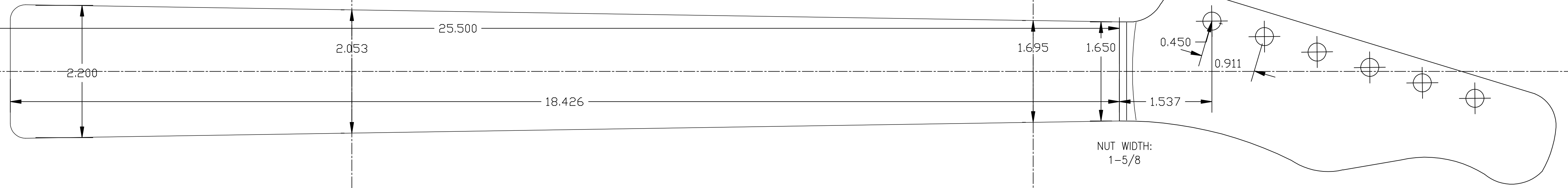
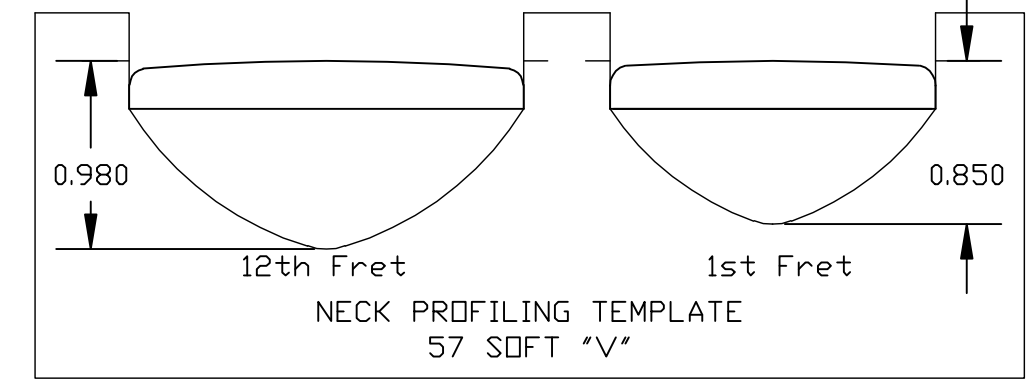
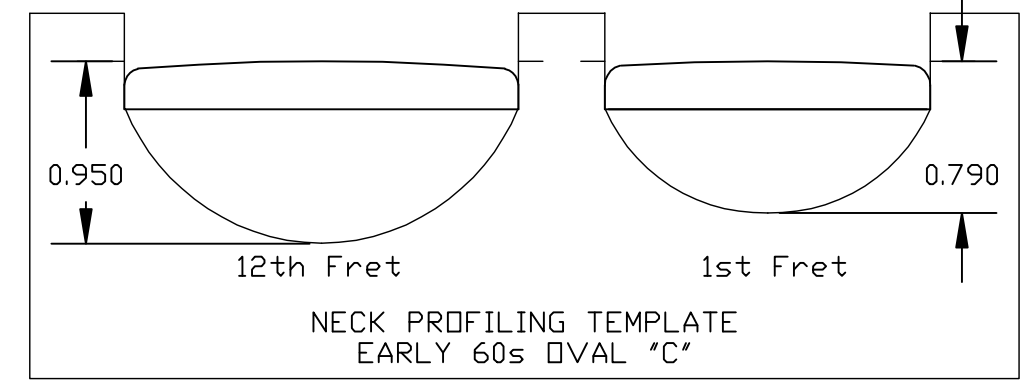
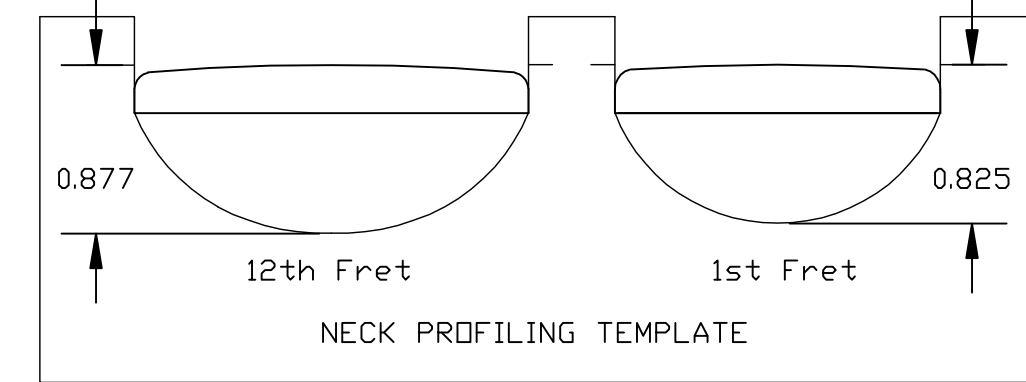
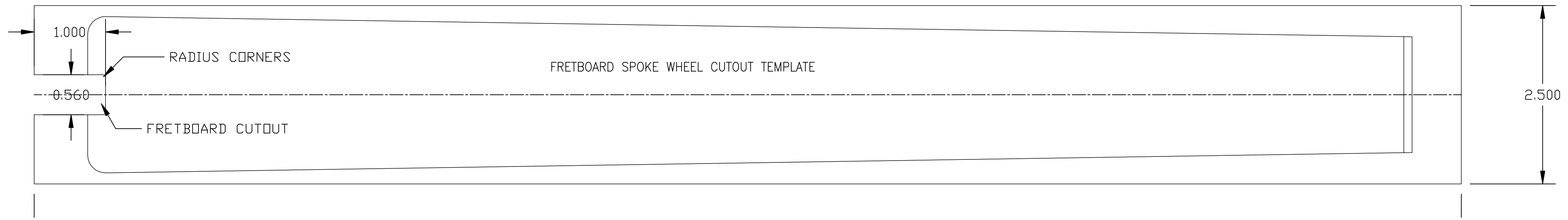
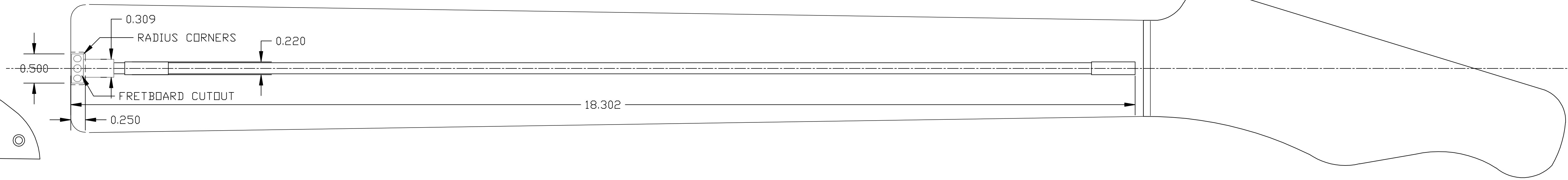
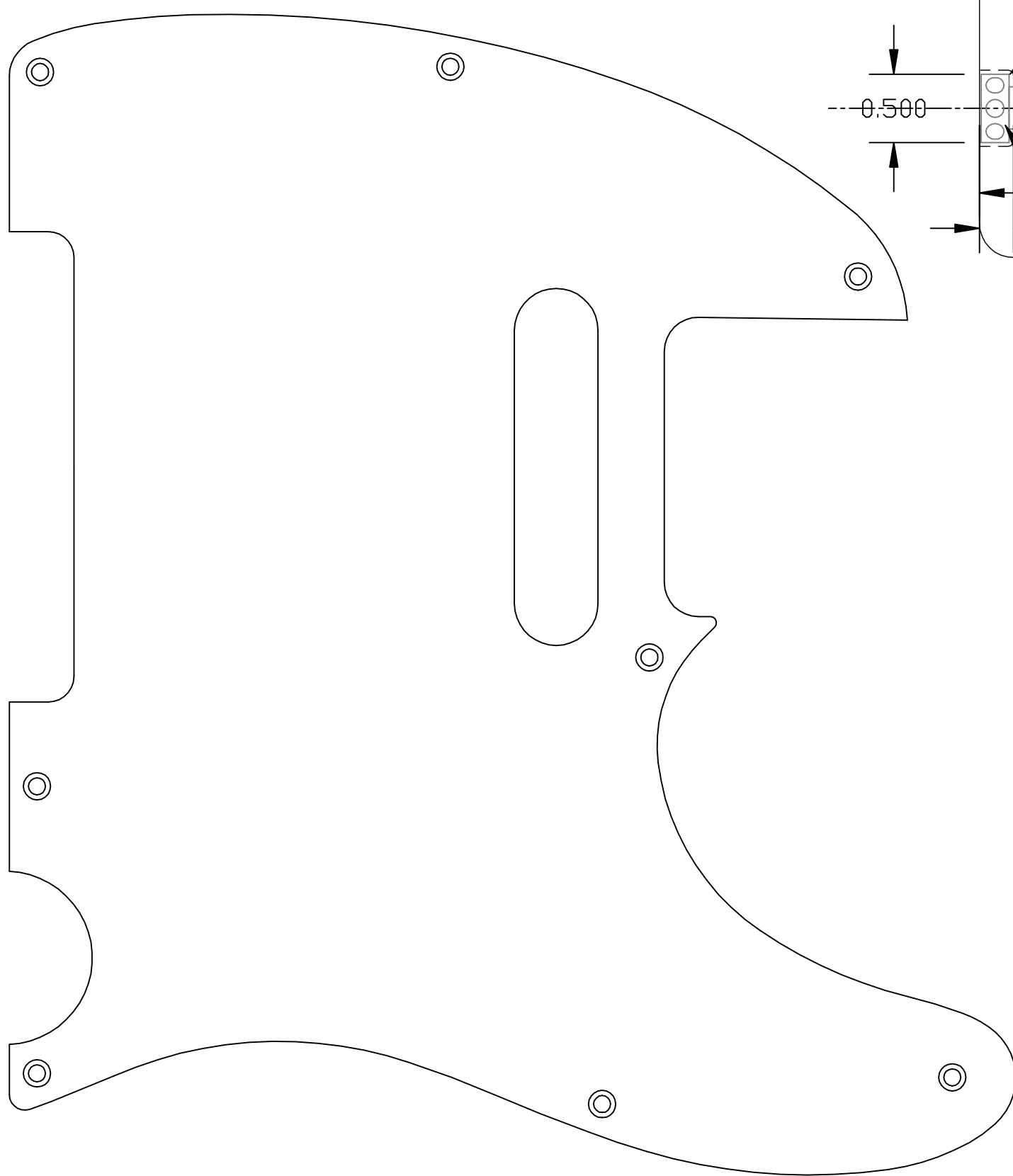


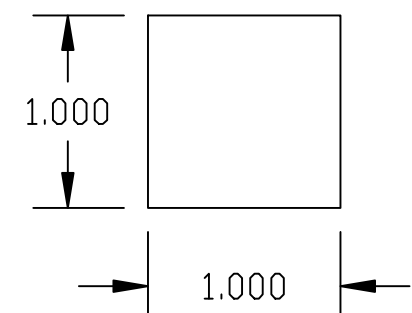
25.5" SCALE
BRIDGE



HOT ROD DUAL TRUSSROD W/SPOKE WHEEL LAYOUT



VERIFY SCALE



- NOTES:
1. PEGHOLES ARE FOR FENDER/SCHALLER TUNING MACHINES
 2. WHEN REQUIRING A DIFFERENT HEADSTOCK, PLACE OVER DRAWING AND ALIGN WITH CENTERLINE
 3. NECK PROFILE TEMPLATES ARE NOT IDENTICAL REPLICAS OF ORIGINAL AND SHOULD ONLY BE USED AS A GUIDE.

DRAFTER 1:	DATE:
JMM	01/26/14
DRAFTER 2:	DATE:
REV1	DATE:
JMM	02/02/14
REV2	DATE:
REV3	DATE:
REV4	DATE:
RELEASED:	DATE:
JMM	02/06/14
FOR PERSONAL USE ONLY	

**TELECASTER STYLE GUITAR
FULL SCALE PLANS
TEMPLATES**

SIZE ANSI D	34x22	DRAWING NO.
SCALE		1:1 (UNLESS OTHERWISE NOTED)